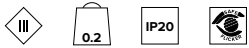
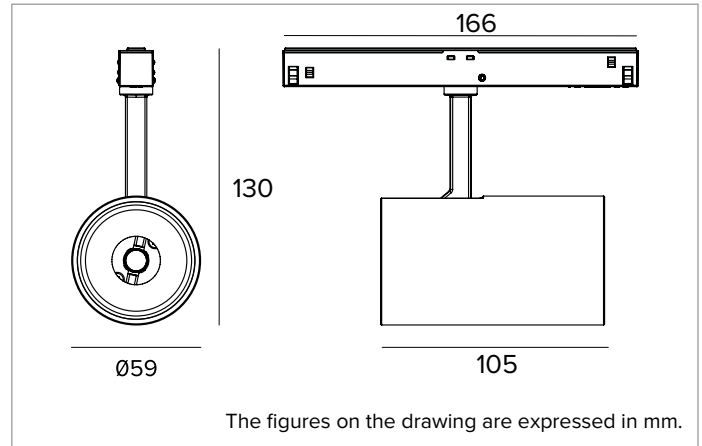


## 1T9076EL | FORTYEIGHT Label 6

### Low voltage adjustable LED professional projector



|               |                 |      |        |          |
|---------------|-----------------|------|--------|----------|
|               | 2700K           | H(m) | D(m)   | Emax(lx) |
|               | Ra90            |      | 41°    |          |
| Fixture Power | 15W             | 1    | 0.75   | 3032     |
| Source Flux   | 1751lm          | 2    | 1.50   | 758      |
| Fixture Flux  | 1499lm          | 3    | 2.24   | 337      |
| Efficacy      | 100lm/W         | 4    | 2.99   | 189      |
| TS1976        | Imax=1767cd/klm | Imax | 3095cd | 5        |
|               |                 |      | 3.74   | 121      |



#### SOURCE

High efficiency Chip on Board LED Ra90. 3500K on request.

**Energy efficiency class:** E

**Nominal power:** 14W

**Nominal flux:** 1751lm

**Colour rendering index:** 90

**Rf:** 92

**Rg:** 99

**CCT nominal:** 2700K

**SDCM:** 1.5

**Lifetime (L80/B10):** >50000h tq +25°C

#### ILLUMINOTECHNICAL CHARACTERISTICS

MWFL - precision optics with a black silicone cut off ring. Version with a transparent PMMA lens.

**Optic:** LENS

**Beam angles:** MWFL

**Optical efficiency:** 86%

**Fixture flux:** 1499lm

**Luminous efficacy:** 100lm/W

**Photobiological safety:** Compliant with RG1 low risk group

#### MECHANICAL CHARACTERISTICS

Painted die-cast aluminium body. The optical unit can be adjusted from 0° a 90° on the vertical plane and 360° on the horizontal plane with friction locking system.

**Colour and finish:** Plaster white

**Dimensions:** D=59mm

**Weight:** 0.2Kg

**Version:** LONG ARM ON-OFF

**Degree of protection:** IP20

#### ELECTRICAL CHARACTERISTICS

Electronic ON-OFF power supply for track.

**Fixture Power:** 15W

**Power supply:** 48Vdc

**Insulation Class:** CLASS 3

**Class F:** YES

**SAFE FLICKER:** PstLM=<1 and SVM=<0.4 (IEC TR 61547-1 and IEC TR 63158), to ensure a more comfortable and safe light

**Ambient temperature:** 0°C / +25°C

#### INSTALLATION

Long bracket version for insertion into the trimless deep track version. Quick coupling system for mounting the product on the track.

#### NOTES

Not polarized fixture. The arm is and the adapter are supplied in the same colour as the body of the projector. 110-277Vac version available on request.

#### WARRANTY

5 years.

#### WARNING

Luminaire designed for disposal/recycling at end-of-life. Replaceable (LED only) light source by a professional. Replaceable control gear by a professional.

*Due to the technological evolution of the electronic components, the data provided may be updated, and as such, confirmation must be requested during the order process.*

*Luminous flux and power supply have +/-10% tolerances with respect to the indicated value. tq +25°C (CIE 121).*

*We reserve the right to make technical changes.*

Targetti Sankey S.r.l.  
Via Pratese, 164  
50145 Firenze - Italy  
Tel: +39 055 37911  
targetti.com  
targetti@targetti.com

CCIAA Firenze  
Share Capital:  
€ 500.000,00  
VAT N. (IT):  
01537660480  
R.E.A: FI-275656

**TARGETTI**

## 1T9076EL | FORTYEIGHT Label 6

### Low voltage adjustable LED professional projector

#### Accessories

##### Filter



| Ø mm | Code          |
|------|---------------|
| 50   | <b>1T4721</b> |

PMMA holographic filter with blade effect to ovalize the light beam; more evident when combined with spot and flood optics.

*Due to the technological evolution of the electronic components, the data provided may be updated, and as such, confirmation must be requested during the order process.*

*Luminous flux and power supply have +/-10% tolerances with respect to the indicated value. tq +25°C (CIE 121).*

*We reserve the right to make technical changes.*

Targetti Sankey S.r.l.  
Via Pratese, 164  
50145 Firenze - Italy  
Tel: +39 055 37911  
targetti.com  
targetti@targetti.com

CCIAA Firenze  
Share Capital:  
€ 500.000,00  
VAT N. (IT):  
01537660480  
R.E.A: FI-275656

# TARGETTI